



WAUSAU

WINDOW AND WALL
SYSTEMS

ELEVATIONS

Historical Entrance Door

EN-8300i Series

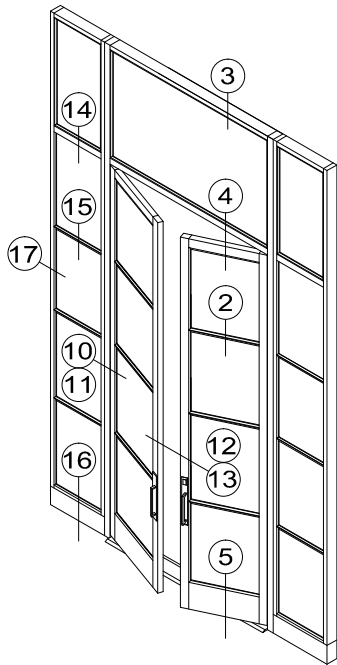
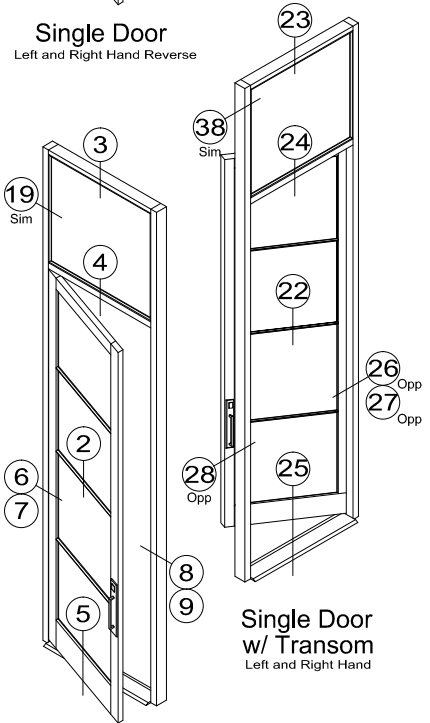
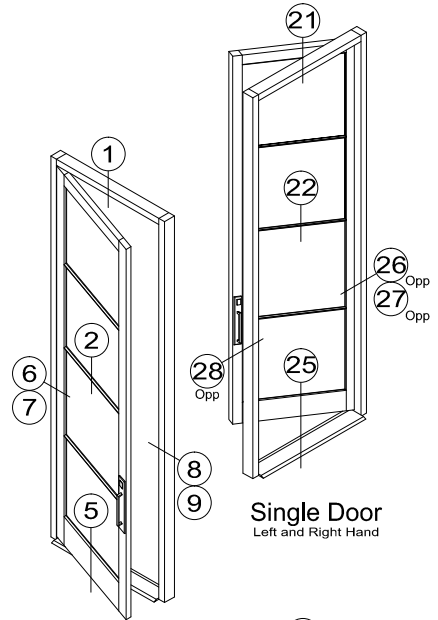
Elevations Viewed From The Exterior

Section Contents	Page(s)
Details	D3-2 thru D3-19
Glazing Options	D3-20

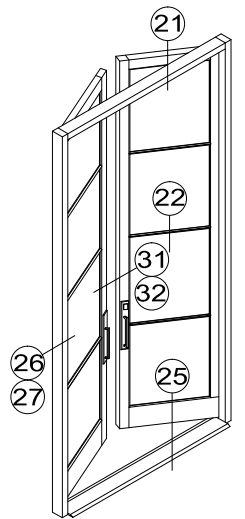
**AAMA Storefront and Entrance Manual
SFM1-14 Test Configurations**

For air, cycling and structural

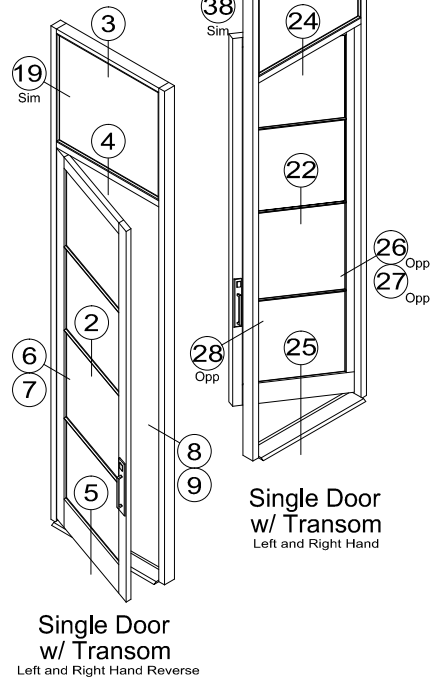
French Double Door Frame Size with Transom	72.250" x 110.125" 72.250" x 136.188"
Single Door Frame Size	52.563" x 136.188"
Sidelite Frame Size	11.375" x 136.188"



French Double Door
with Transom and Sidelites
Left and Right Hand Reverse



French Double Door
Left and Right Hand



EN-8300i Historical
Contact A Wausau Representative For Other Possible Configurations.



WAUSAU

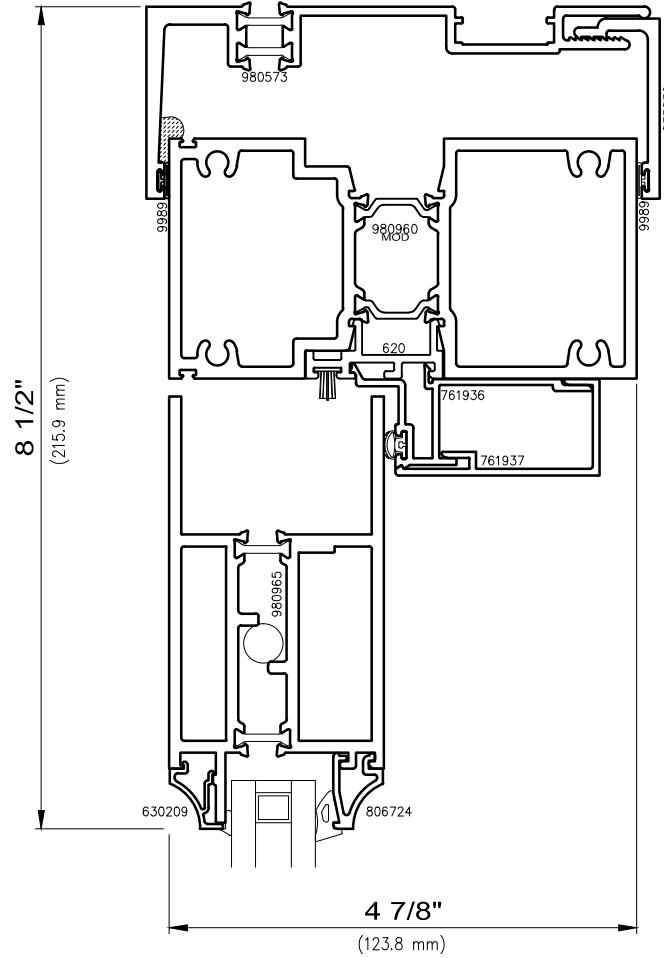
WINDOW AND WALL
SYSTEMS

OUT-SWING DOOR

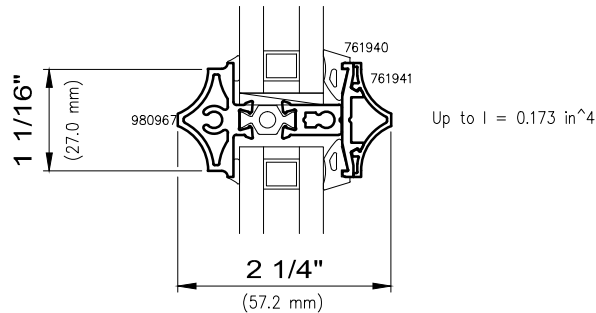
Historical Entrance Door

EN-8300i Series

1
Frame Head / Top Rail
Left and Right Hand Reverse



2
Door Leaf TDL
Left and Right Hand, Left and Right Hand Reverse



I-values indicated are for frame members only.
Thermal barrier shear reduction of 10% included.



WAUSAU

WINDOW AND WALL
SYSTEMS

OUT-SWING DOOR

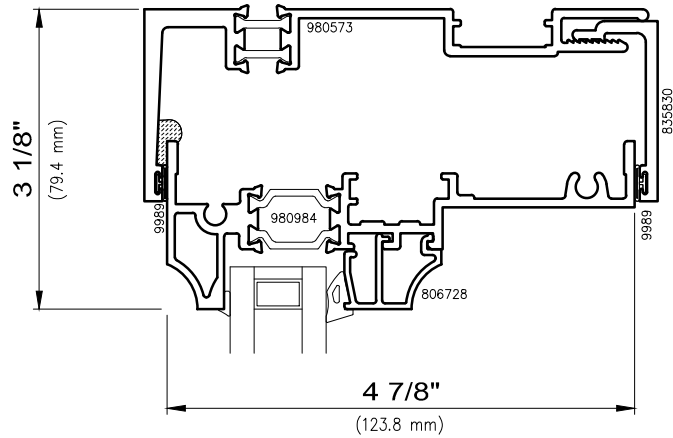
Historical Entrance Door

EN-8300i Series

3

Transom / Sidelite Frame Head

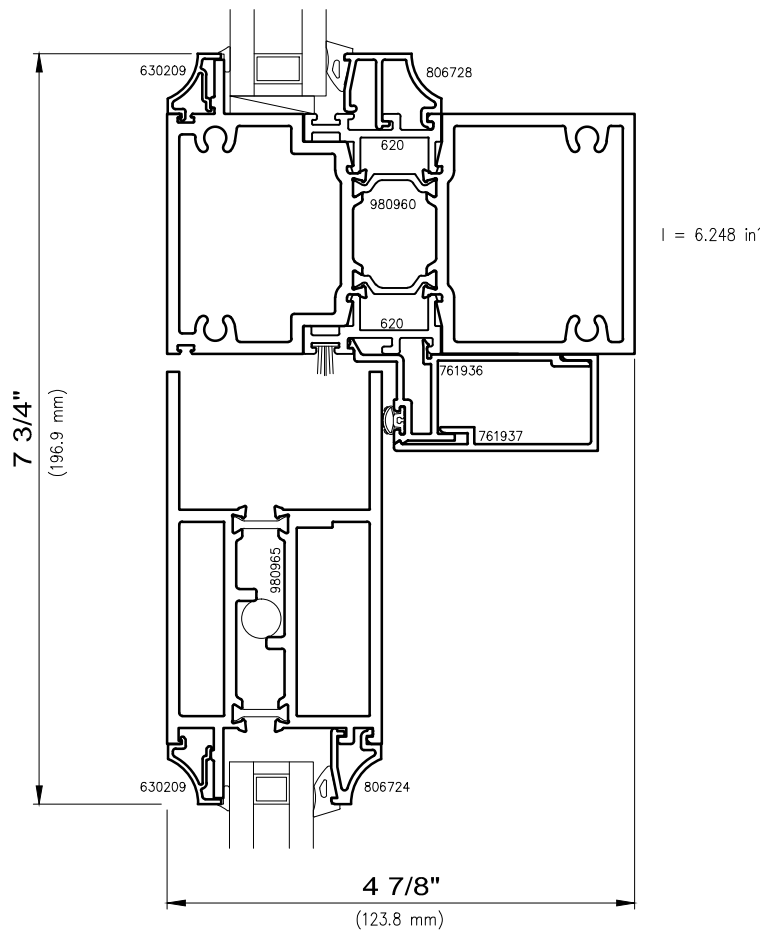
Left and Right Hand, Left and Right Hand Reverse



4

Transom Frame / Top Rail

Left and Right Hand Reverse



I-values indicated are for frame members only.
Thermal barrier shear reduction of 10% included.



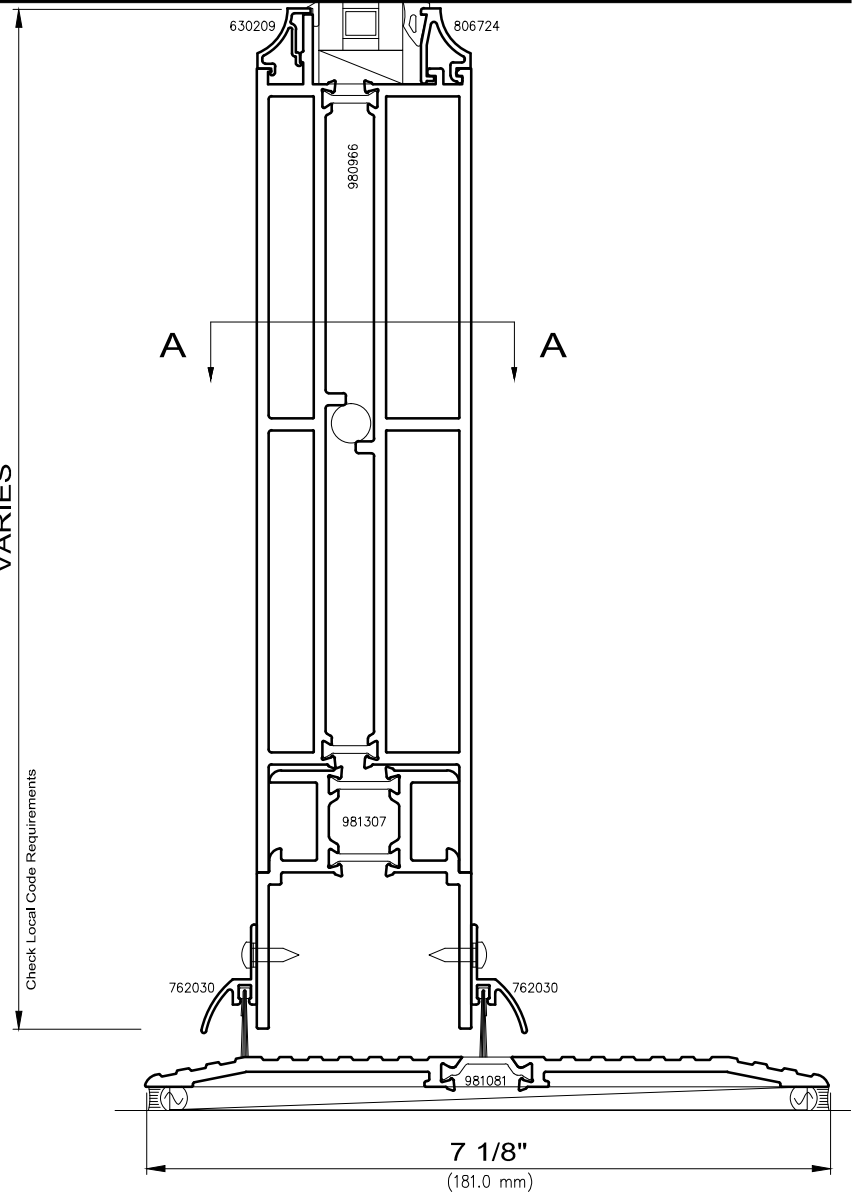
WAUSAU

WINDOW AND WALL
SYSTEMS

OUT-SWING DOOR

Historical Entrance Door

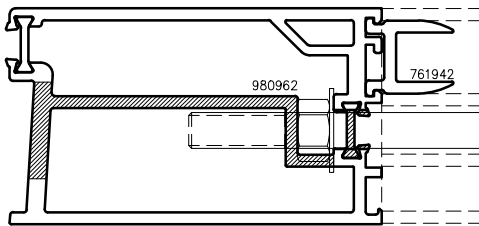
EN-8300i Series



5

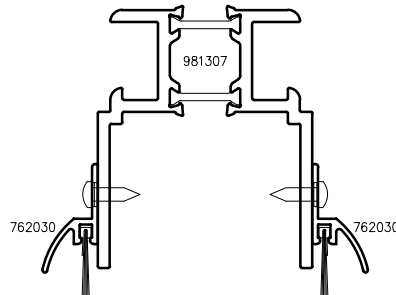
Threshold / Bottom Rail

Left and Right Hand Reverse



Section A-A Tension Rod

Head and Sill Rail



Optional Bottom Rail Weathering

If allowed or required by local code



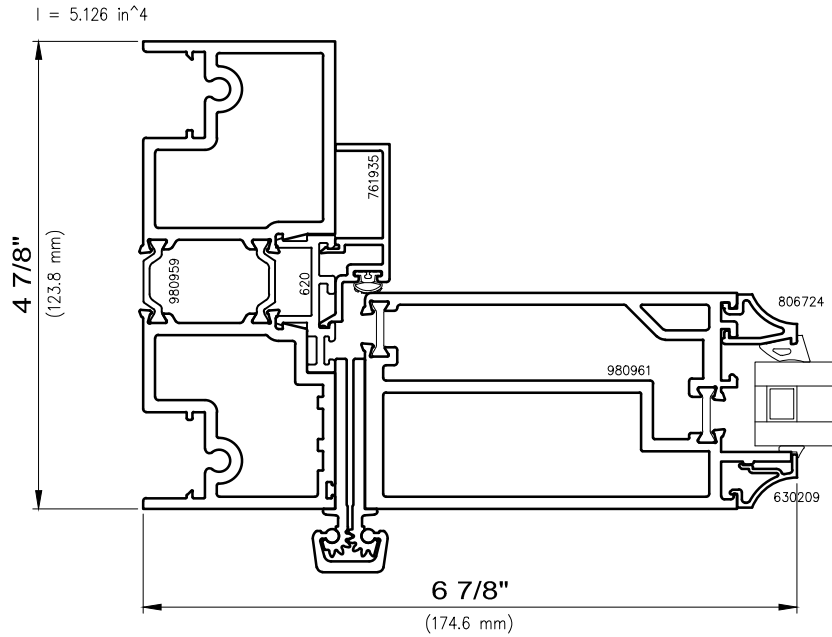
WAUSAU

WINDOW AND WALL
SYSTEMS

OUT-SWING DOOR

Historical Entrance Door

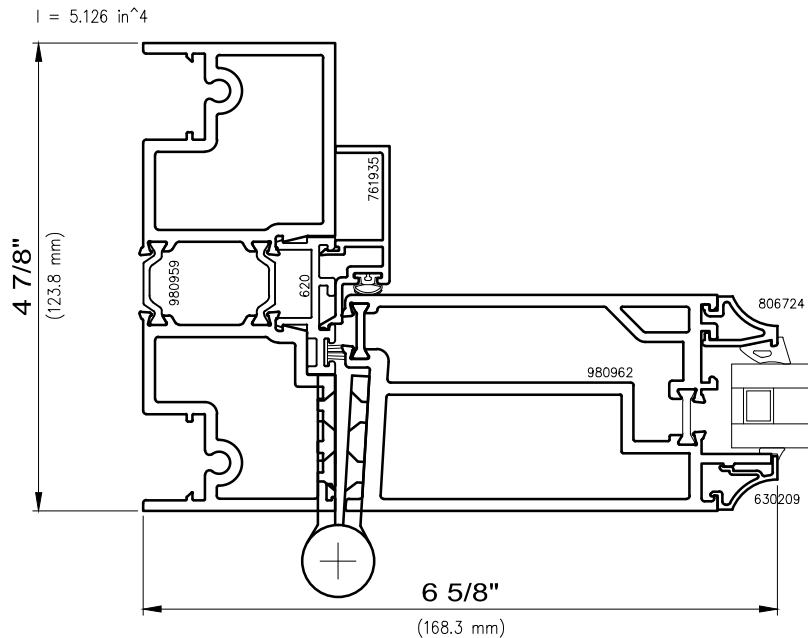
EN-8300i Series



6

Frame Jamb / Continuous Hinge Stile

Left Hand Reverse (shown) Right Hand Reverse (opposite)



7

Frame Jamb / Butt Hinge Stile

Left Hand Reverse (shown) Right Hand Reverse (opposite)

I-values indicated are for frame members only.
Thermal barrier shear reduction of 10% included.



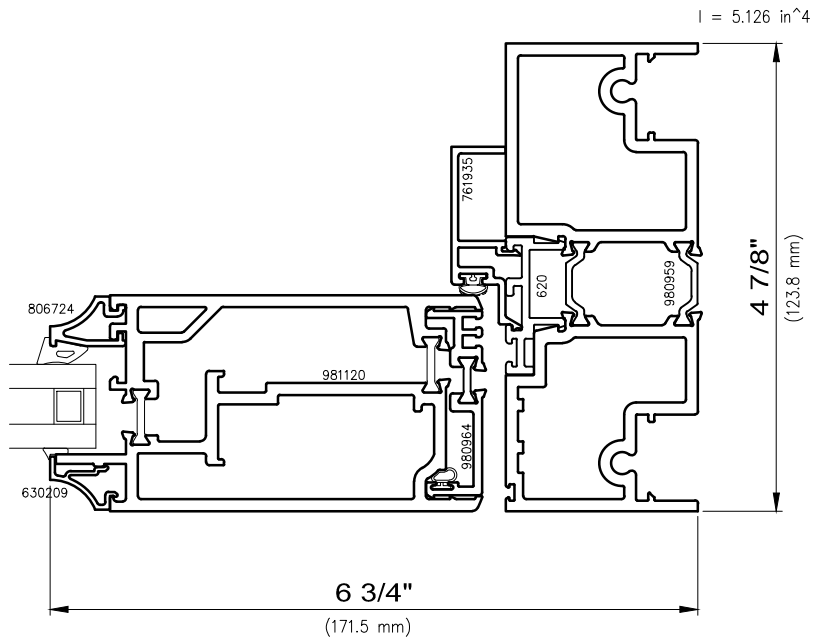
WAUSAU

WINDOW AND WALL
SYSTEMS

OUT-SWING DOOR

Historical Entrance Door

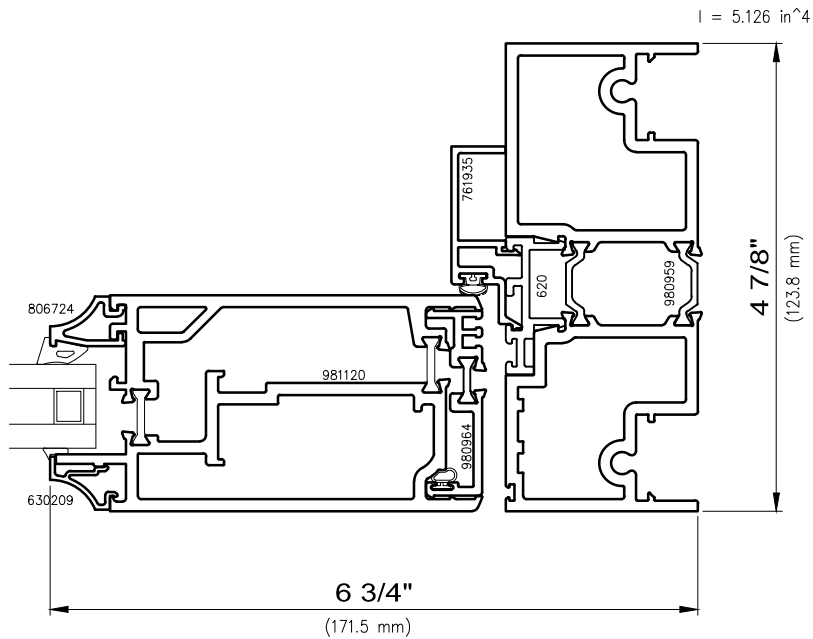
EN-8300i Series



8

Frame Jamb / Latch Stile

Left Hand Reverse (shown) Right Hand Reverse (opposite)



9

Frame Jamb / Panic Latch Stile

Left Hand Reverse (shown) Right Hand Reverse (opposite)

I-values indicated are for frame members only.
Thermal barrier shear reduction of 10% included.



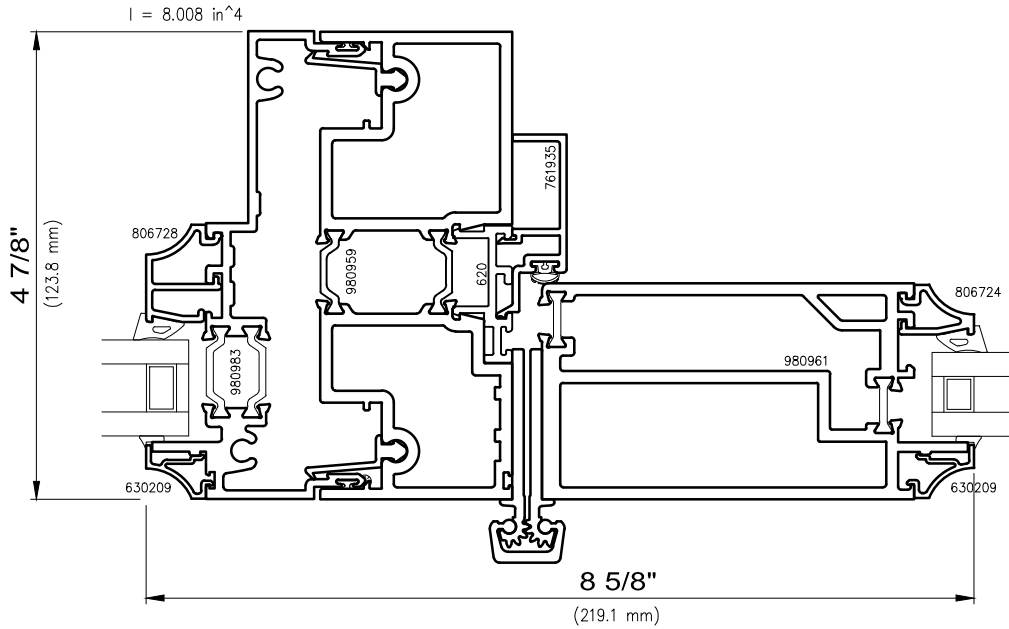
WAUSAU

WINDOW AND WALL
SYSTEMS

OUT-SWING DOOR

Historical Entrance Door

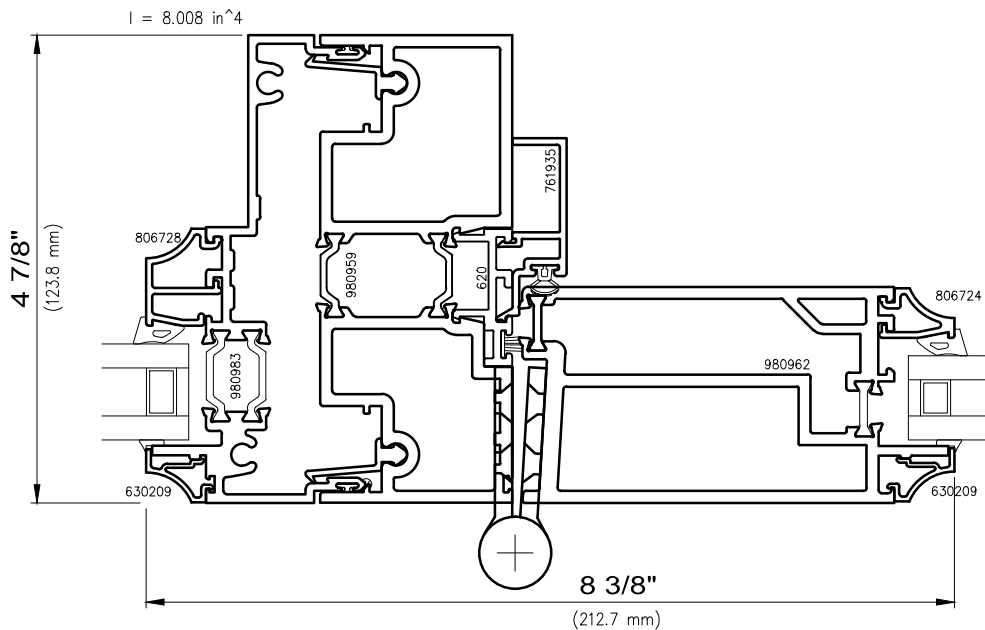
EN-8300i Series



10

Sidelite-Jamb Stack / Continuous Hinge Stile

Left Hand Reverse (shown) Right Hand Reverse (opposite)



11

Sidelite-Jamb Stack / Butt Hinge Stile

Left Hand Reverse (shown) Right Hand Reverse (opposite)

I-values indicated are for frame members only.
Thermal barrier shear reduction of 10% included.



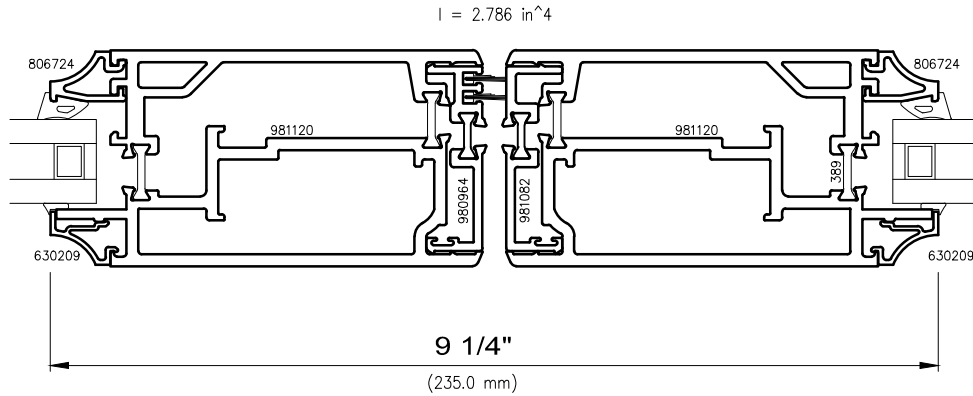
WAUSAU

WINDOW AND WALL
SYSTEMS

OUT-SWING DOOR

Historical Entrance Door

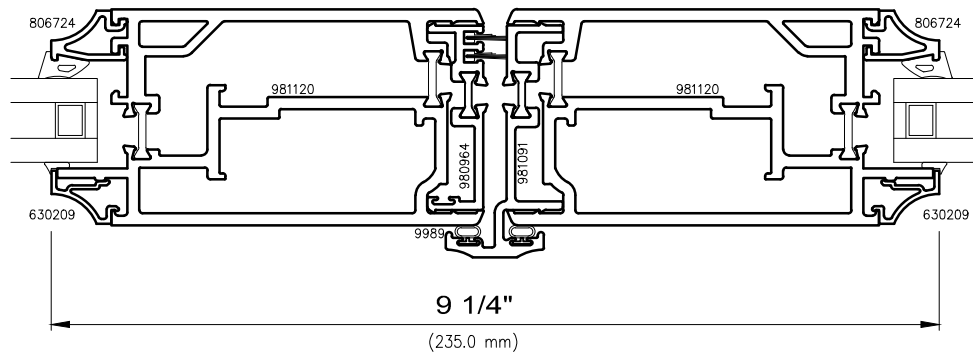
EN-8300i Series



12

Inactive Meeting Stile / Active Meeting Stile

Left and Right Hand, Left and Right Hand Reverse
Used when both sash are fully active, or on high traffic main entrance doors



13

Inactive Meeting Stile / Astragal / Active Meeting Stile

Left and Right Hand Reverse
Used when right sash is active and left sash is inactive, low traffic doors

I-values indicated are for frame members only.
Thermal barrier shear reduction of 10% included.



WAUSAU

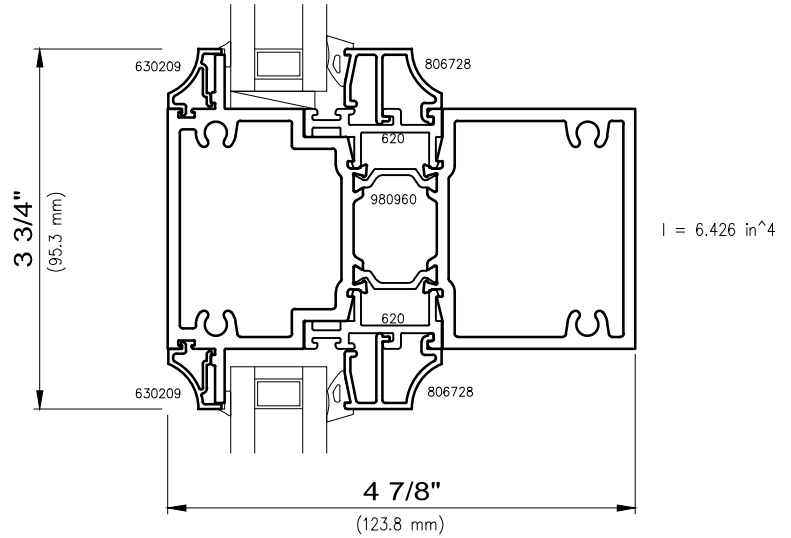
WINDOW AND WALL
SYSTEMS

OUT-SWING DOOR

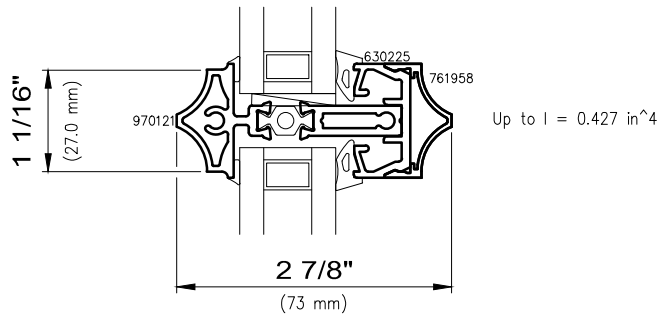
Historical Entrance Door

EN-8300i Series

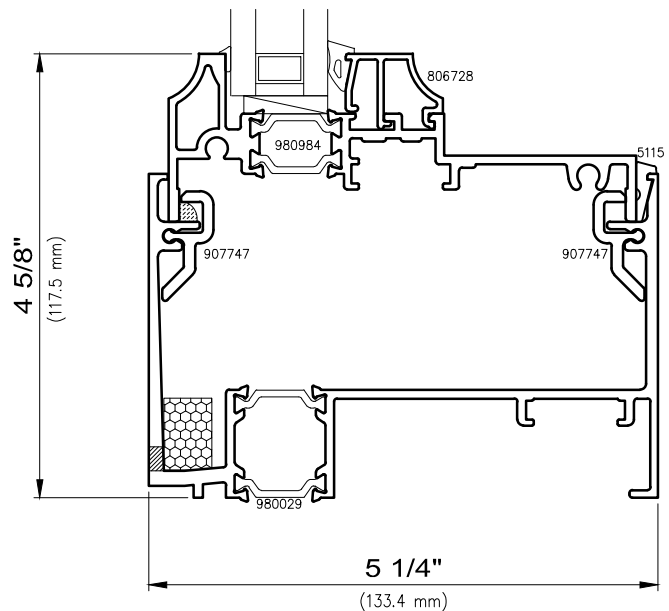
14
Transom / Sidelite Mullion
Transom and Sidelite



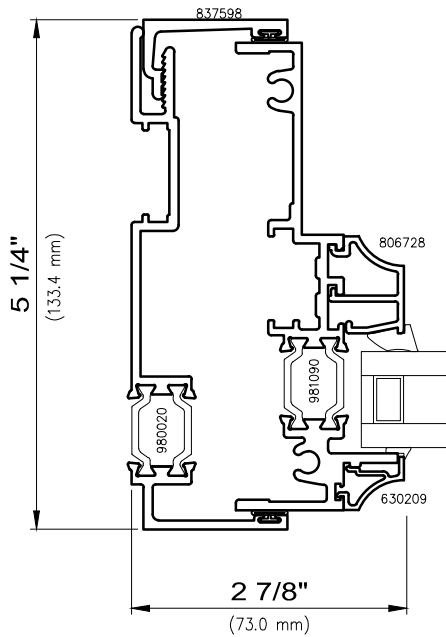
15
Transom / Sidelite TDL
Transom and Sidelite



16
Sidelite Frame Sill / Starter
Sidelite



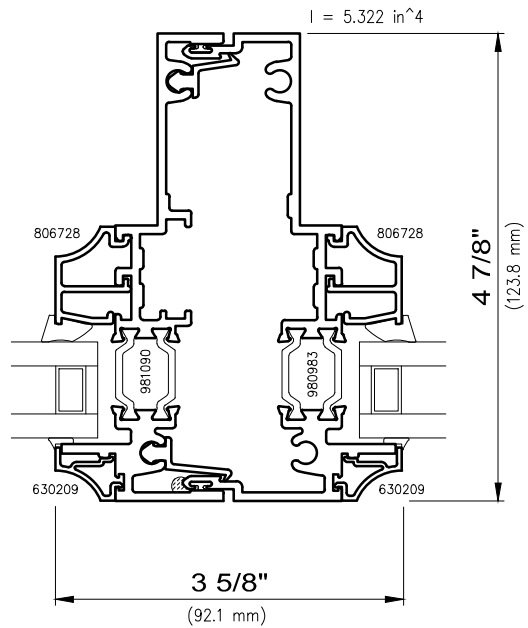
I-values indicated are for frame members only.
Thermal barrier shear reduction of 10% included.



17

Sidelite Frame Jamb / Starter

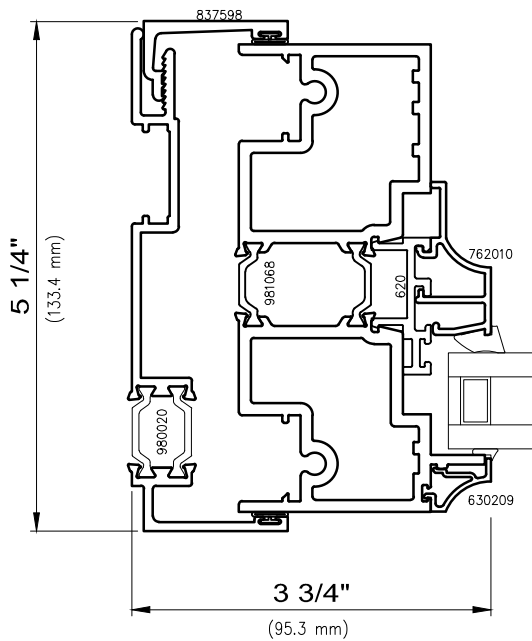
Sidelite



18

Sidelite Frame Jamb Stack

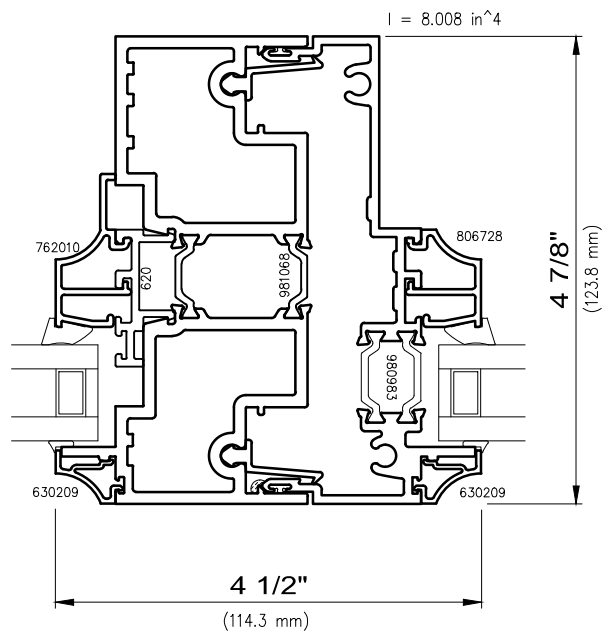
Sidelite



19

Transom Frame Jamb / Starter

Transom



20

Transom / Sidelite Frame Jamb Stack

Transom and Sidelite

I-values indicated are for frame members only.
Thermal barrier shear reduction of 10% included.



WAUSAU

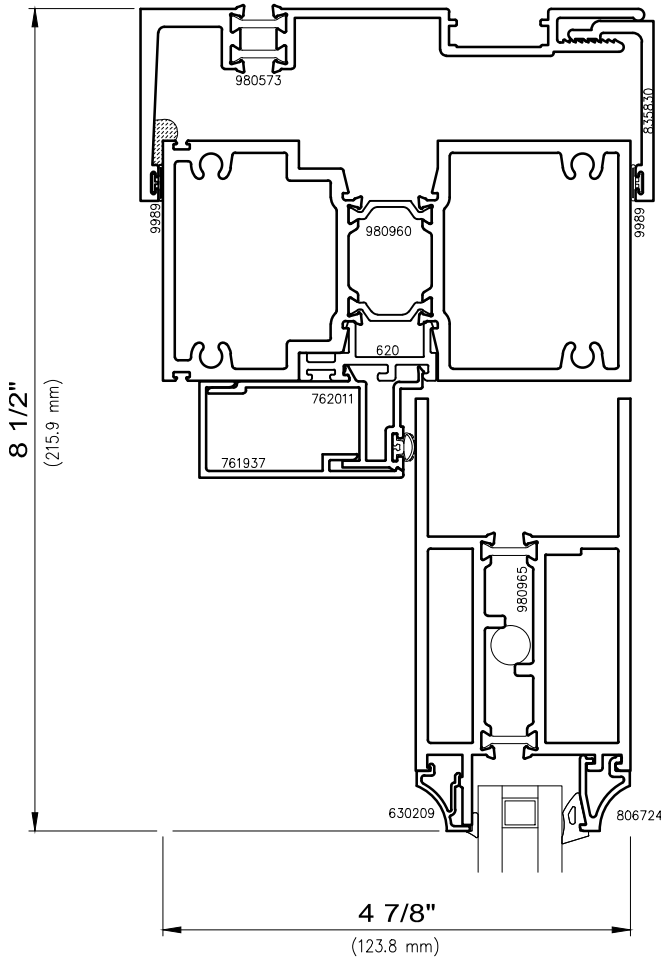
WINDOW AND WALL
SYSTEMS

IN-SWING DOOR

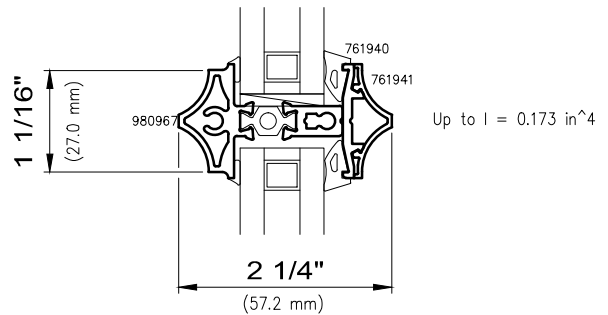
Historical Entrance Door

EN-8300i Series

21
Frame Head / Top Rail
Left and Right Hand



22
Door Leaf TDL
Left and Right Hand, Left and Right Hand Reverse



I-values indicated are for frame members only.
Thermal barrier shear reduction of 10% included.



WAUSAU

WINDOW AND WALL
SYSTEMS

IN-SWING DOOR

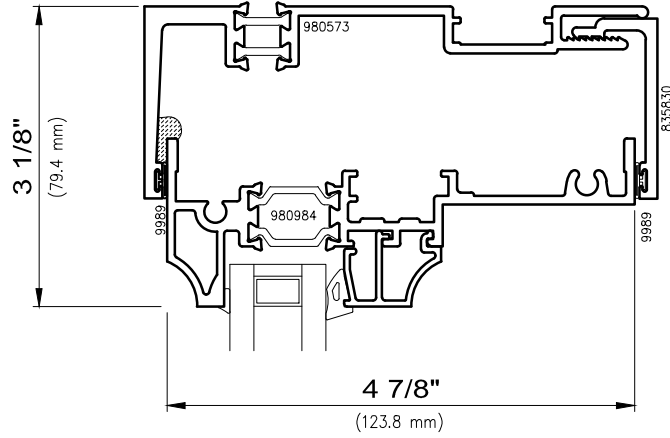
Historical Entrance Door

EN-8300i Series

23

Transom / Sidelite Frame Head

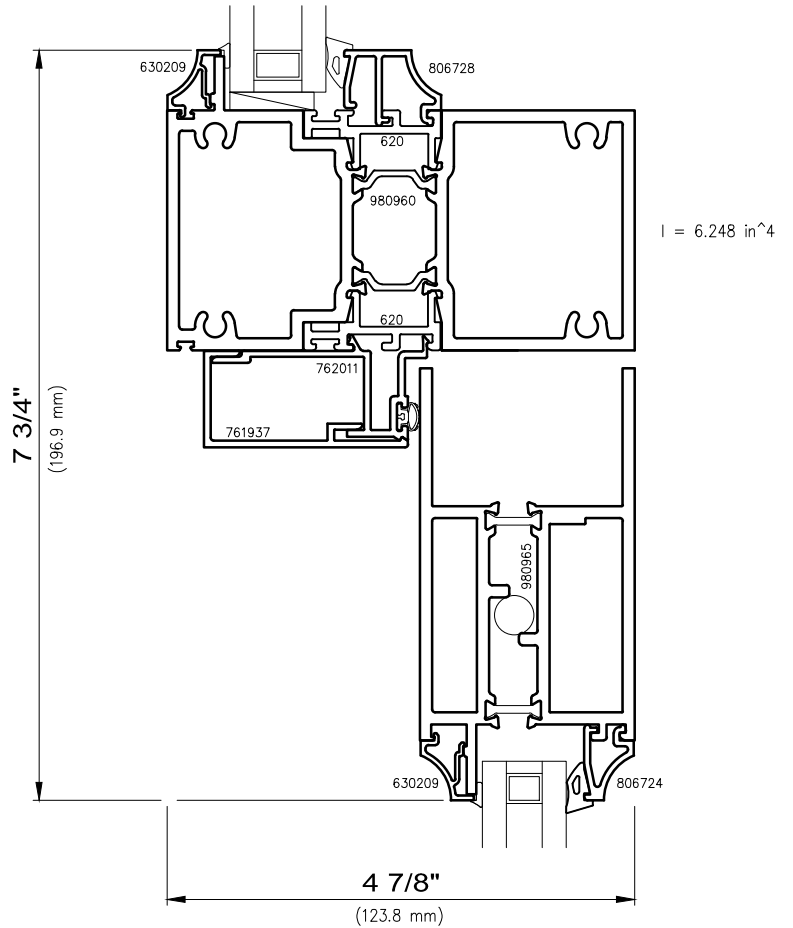
Left and Right Hand, Left and Right Hand Reverse



24

Transom Frame / Top Rail

Left and Right Hand



I-values indicated are for frame members only.
Thermal barrier shear reduction of 10% included.



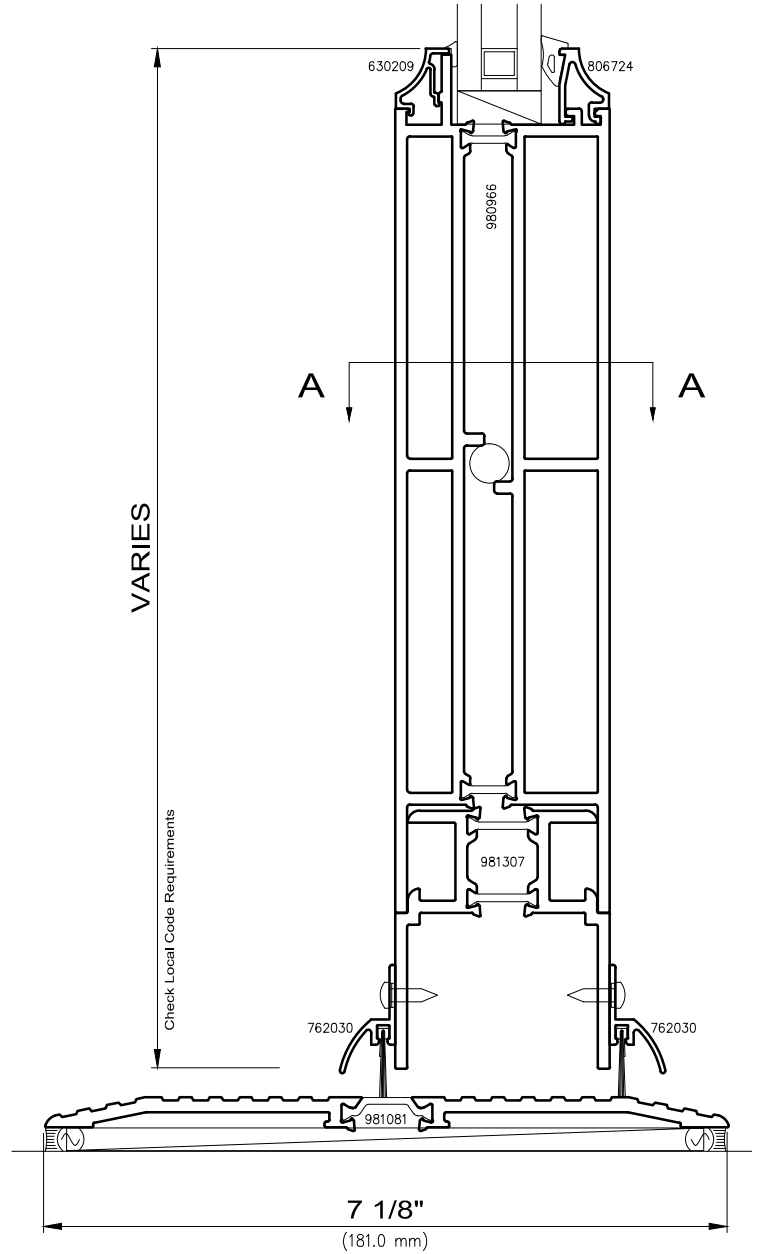
WAUSAU

WINDOW AND WALL
SYSTEMS

IN-SWING DOOR

Historical Entrance Door

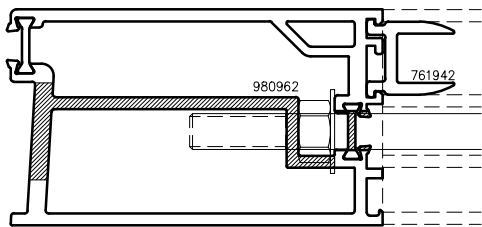
EN-8300i Series



25

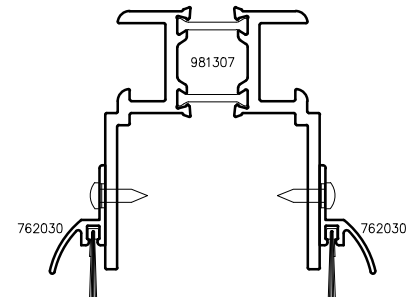
Threshold / Bottom Rail

Left and Right Hand



Section A-A Tension Rod

Head and Sill Rail



Optional Bottom Rail Weather

If allowed or required by local code



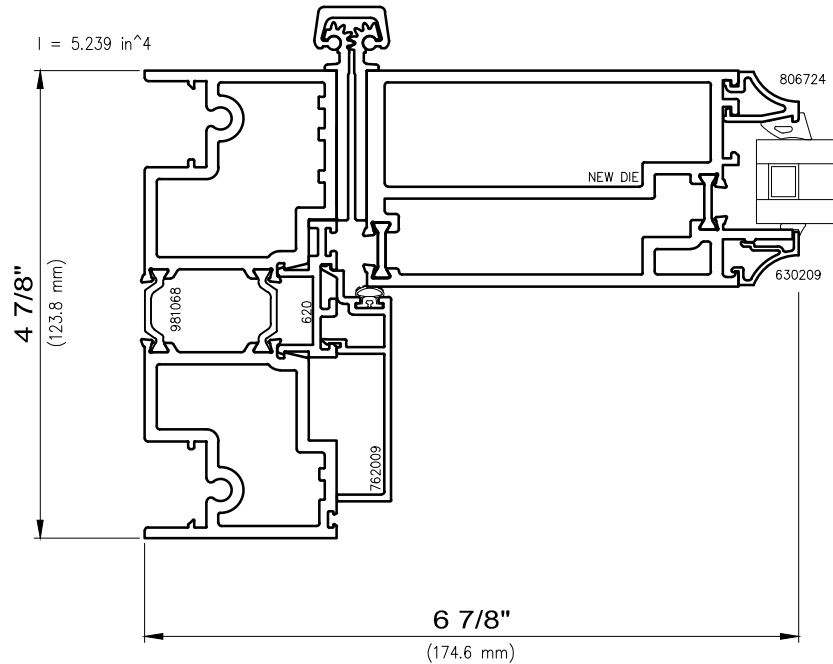
WAUSAU

WINDOW AND WALL
SYSTEMS

IN-SWING DOOR

Historical Entrance Door

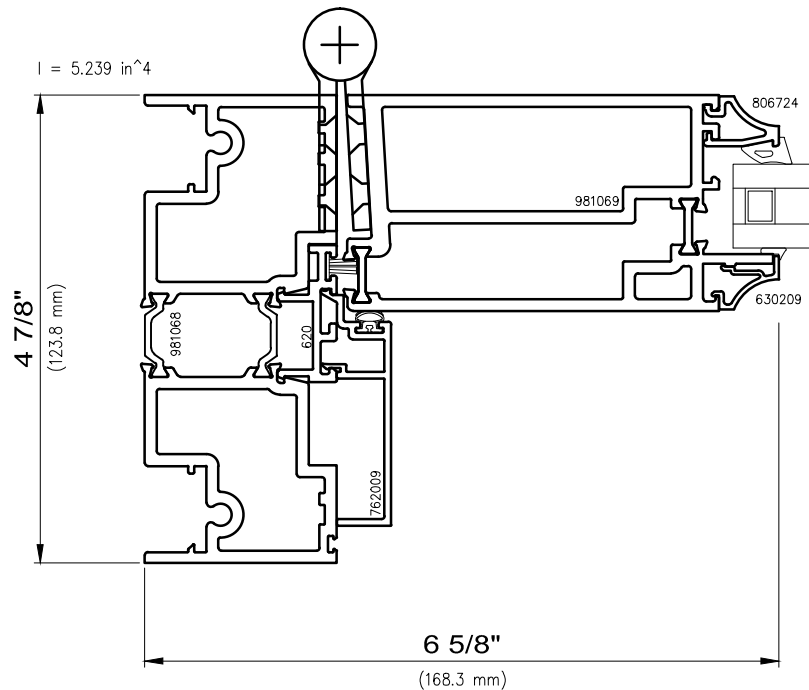
EN-8300i Series



26

Frame Jamb / Continuous Hinge Stile

Left Hand (shown) Right Hand (opposite)



27

Frame Jamb / Butt Hinge Stile

Left Hand (shown) Right Hand (opposite)

I-values indicated are for frame members only.
Thermal barrier shear reduction of 10% included.



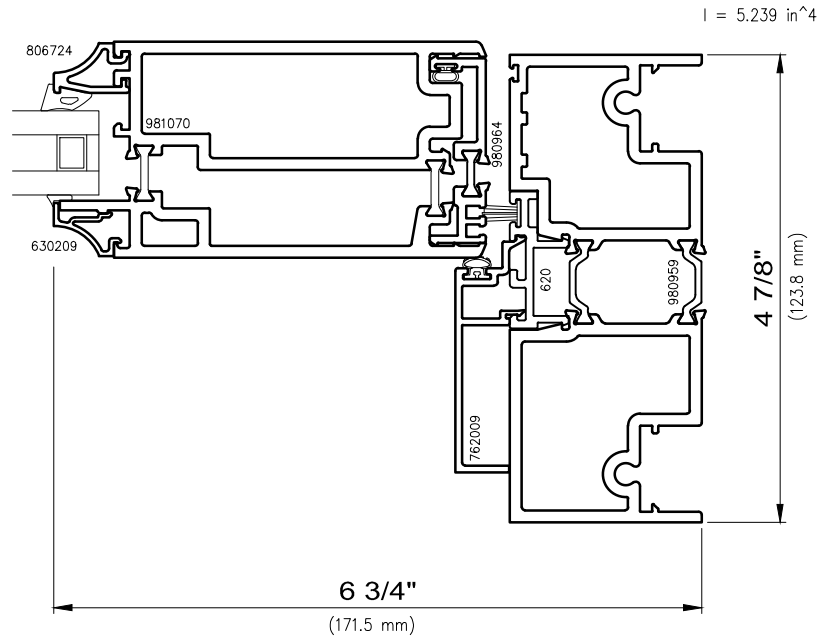
WAUSAU

WINDOW AND WALL
SYSTEMS

IN-SWING DOOR

Historical Entrance Door

EN-8300i Series



28

Frame Jamb / Latch Stile

Left Hand (shown) Right Hand (opposite)

I-values indicated are for frame members only.
Thermal barrier shear reduction of 10% included.



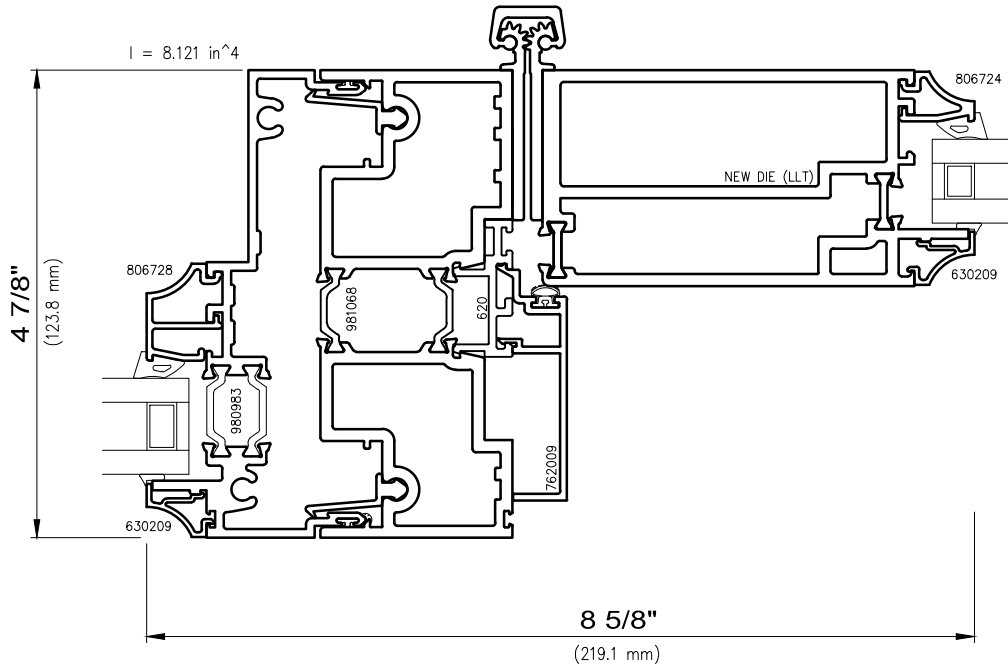
WAUSAU

WINDOW AND WALL
SYSTEMS

IN-SWING DOOR

Historical Entrance Door

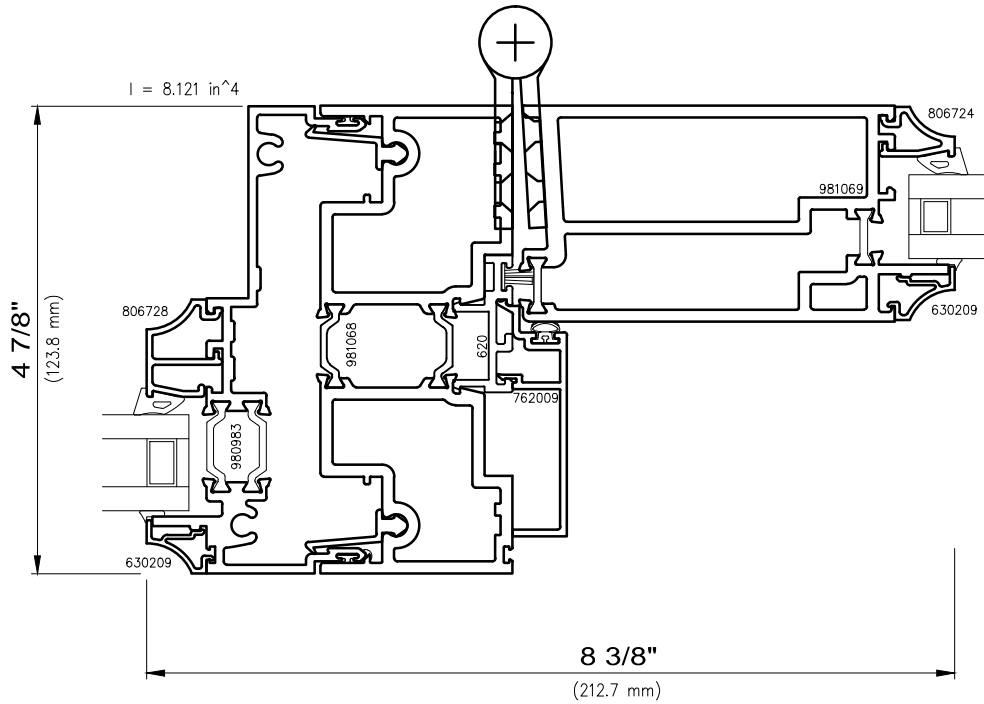
EN-8300i Series



29

Sidelite-Jamb Stack / Continuous Hinge Stile

Left Hand Reverse (shown) Right Hand Reverse (opposite)

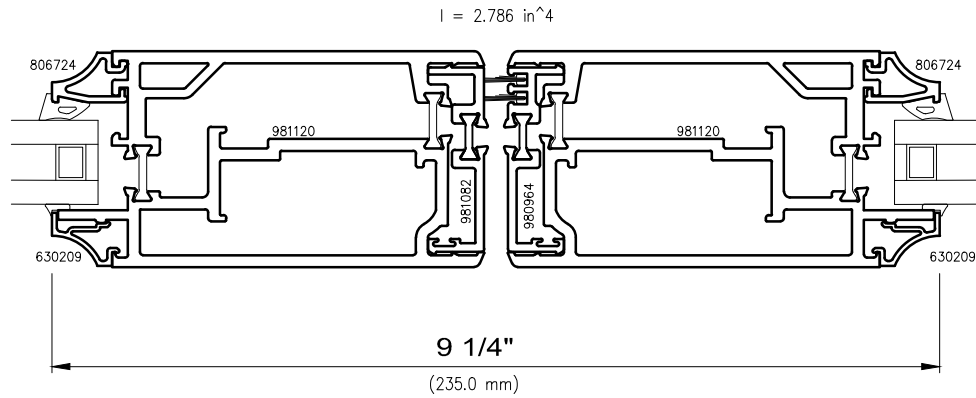


30

Sidelite-Jamb Stack / Butt Hinge Stile

Left Hand Reverse (shown) Right Hand Reverse (opposite)

I-values indicated are for frame members only.
Thermal barrier shear reduction of 10% included.

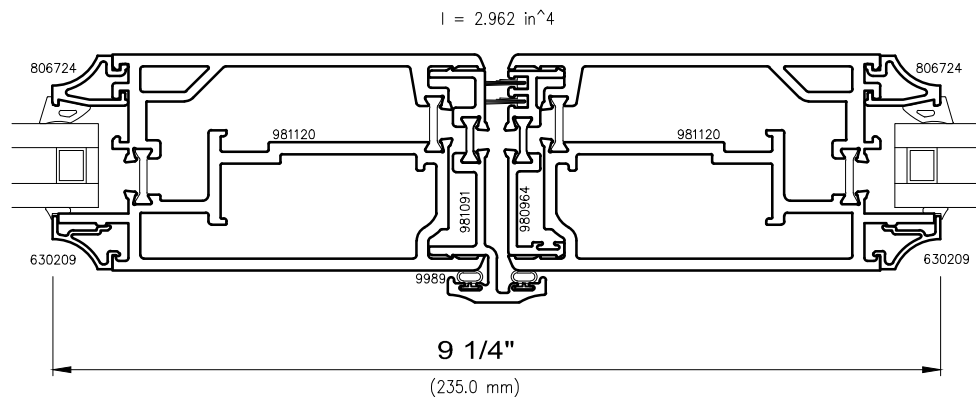


31

Inactive Meeting Stile / Active Meeting Stile

Left and Right Hand, Left and Right Hand Reverse

Used when both sash are fully active, or on high traffic main entrance doors



32

Inactive Meeting Stile / Astragal / Active Meeting Stile

Left and Right Hand

Used when right sash is active and left sash is inactive, low traffic doors

I-values indicated are for frame members only.
Thermal barrier shear reduction of 10% included.



WAUSAU

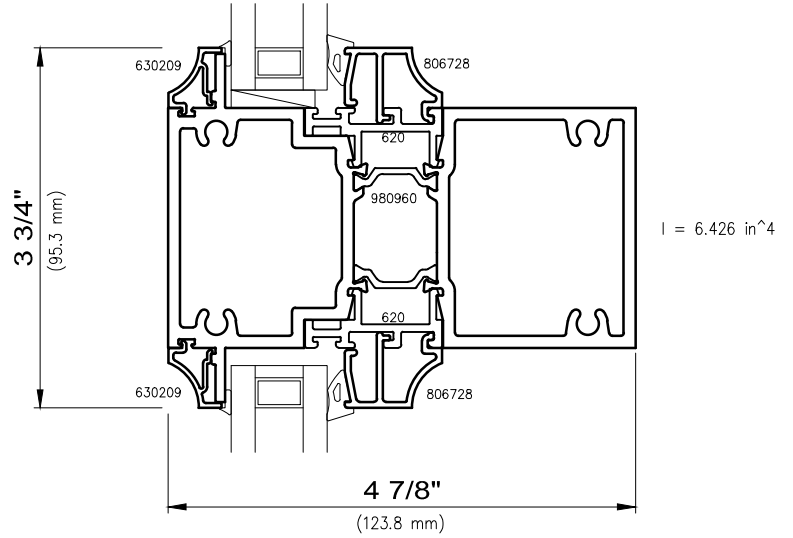
WINDOW AND WALL
SYSTEMS

IN-SWING DOOR

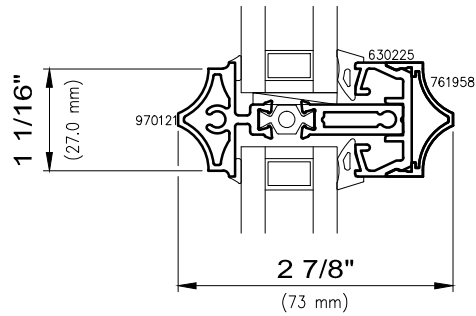
Historical Entrance Door

EN-8300i Series

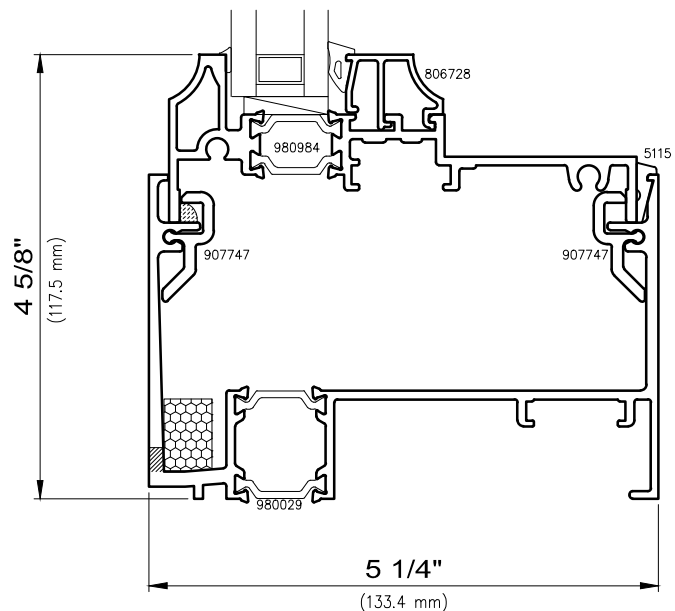
33
Transom / Sidelite Mullion
Transom and Sidelite



34
Transom / Sidelite TDL
Transom and Sidelite



35
Sidelite Frame Sill / Starter
Sidelite



I-values indicated are for frame members only.
Thermal barrier shear reduction of 10% included.



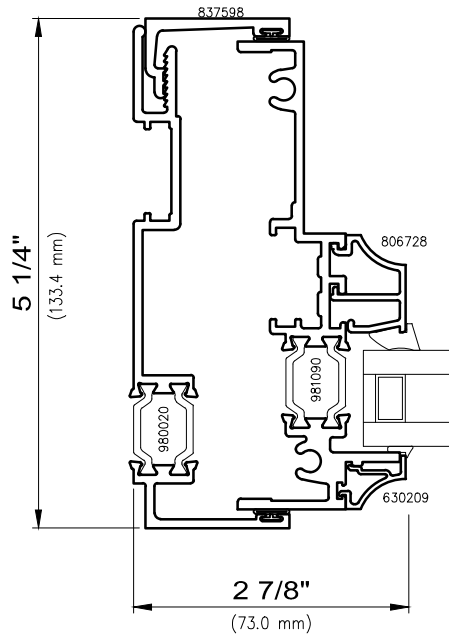
WAUSAU

WINDOW AND WALL
SYSTEMS

IN-SWING DOOR

Historical Entrance Door

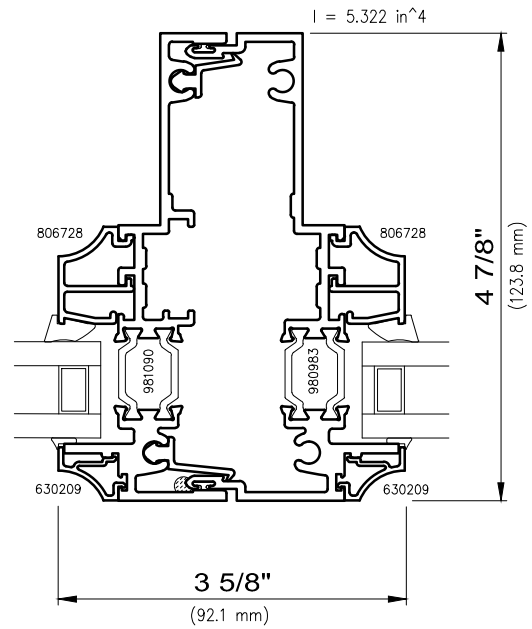
EN-8300i Series



36

Sidelite Frame Jamb / Starter

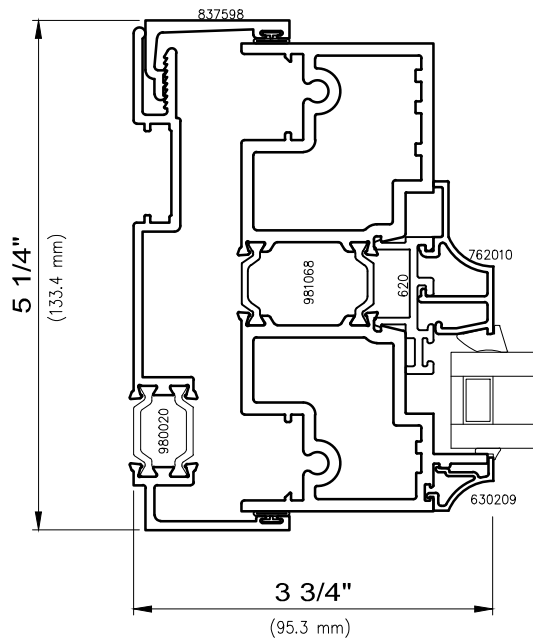
Sidelite



37

Sidelite Frame Jamb Stack

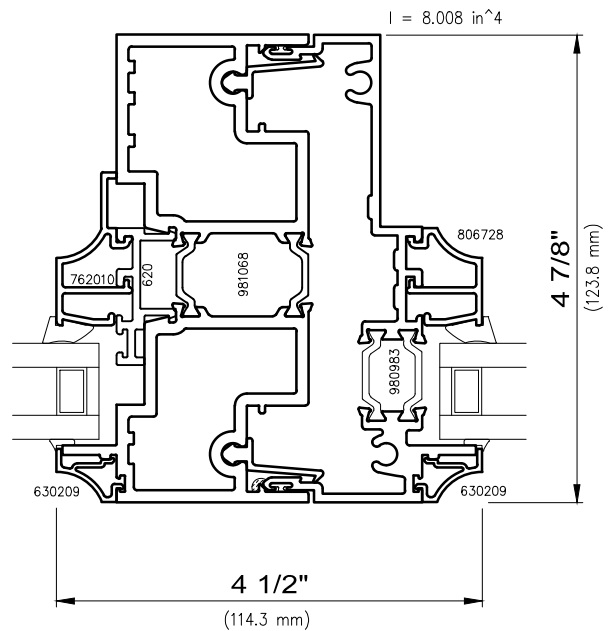
Sidelite



38

Transom Frame Jamb / Starter

Transom



39

Transom / Sidelite Frame Jamb Stack

Transom and Sidelite

I-values indicated are for frame members only.
Thermal barrier shear reduction of 10% included.



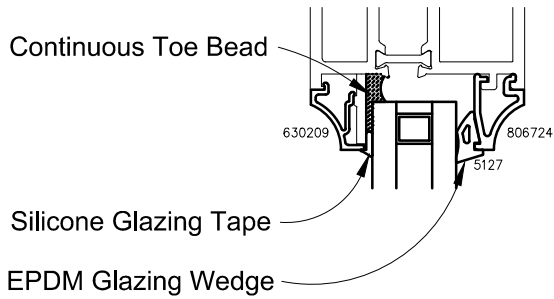
WAUSAU

WINDOW AND WALL
SYSTEMS

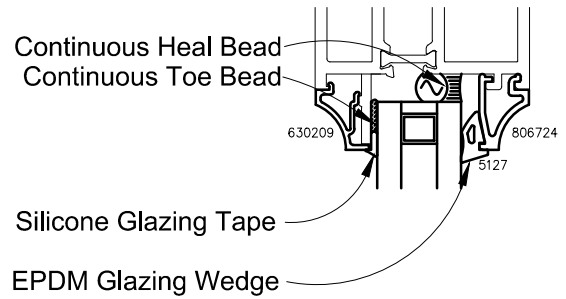
GLAZING OPTIONS

Historical Entrance Door

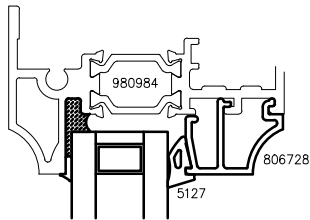
EN-8300i Series



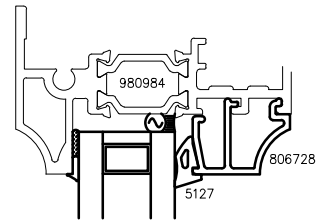
7/8" Insulating Glass
Door Leaf / Inside Glazed



7/8" Insulating Glass - Optional
Door Leaf / Inside Glazed



1" Insulating Glass
Transom / Sidelite / Inside Glazed



1" Insulating Glass - Optional
Transom / Sidelite / Inside Glazed